

21



Domestic Timber Deck Design

Technical Design Guide issued by Forest and Wood Products Australia



Technical Design Guides

A growing suite of information, technical and training resources created to support the use of wood in the design and construction of buildings.

Topics include:

01. Timber-framed Construction for Townhouse Buildings Class 1a
02. Timber-framed Construction for Multi-residential Buildings Class 2, 3 & 9c
03. Timber-framed Construction for Commercial Buildings Class 5, 6, 9a & 9b
04. Building with Timber in Bushfire-prone Areas
05. Timber service life design – Design Guide for Durability
06. Timber-framed Construction – Sacrificial Timber Construction Joint
07. Plywood Box Beam Construction for Detached Housing
08. Stairs, Balustrades and Handrails Class 1 Buildings – Construction
09. Timber Flooring – Design Guide for Installation
10. Timber Windows and Doors
11. Noise Transport Corridor Design Guide
12. Impact and Assessment of Moisture-affected Timber-framed Construction
13. Finishing Timber Externally
14. Timber in Internal Design
15. Building with Timber for Thermal Performance
16. Massive Timber Construction Systems Cross-laminated Timber (CLT)
17. Alternative Solution Fire Compliance, Timber Structures
18. Alternative Solution Fire Compliance, Facades
19. Alternative Solution Fire Compliance, Internal Linings
20. Fire Precautions during Construction of Large Buildings
21. Domestic Timber Deck Design

Other WoodSolutions Publications

WoodSolutions publications provide information on topics of interest to architects, engineers and other building professionals.

To view all current titles or for more information visit woodsolutions.com.au

*Cover image: Castlecrag Residence, Architects: CplusC Architectural Workshop
Photographer: Murray Fredericks*



WoodSolutions is an industry initiative designed to provide independent, non-proprietary information about timber and wood products to professionals and companies involved in building design and construction.

WoodSolutions is resourced by Forest and Wood Products Australia (FWPA – www.fwpa.com.au). It is a collaborative effort between FWPA members and levy payers, supported by industry bodies and technical associations.

This work is supported by funding provided to FWPA by the Commonwealth Government.

ISBN 978-1-921763-97-7

Acknowledgements

This guide was originally produced by Timber Development Association NSW Limited with support from Boral Timber.

To retain consistency of information within the timber industry the section on timber decks, close to or on-ground, relies heavily on the Timber Queensland's Guide No 13 Residential Timber Deck Close to the Ground. We acknowledge Timber Queensland's contribution to the guide.

First published: June 2014

© 2013 Forest and Wood Products Australia Limited. All rights reserved.

These materials are published under the brand WoodSolutions by FWPA.

IMPORTANT NOTICE

While all care has been taken to ensure the accuracy of the information contained in this publication, Forest and Wood Products Australia Limited (FWPA) and WoodSolutions Australia and all persons associated with them as well as any other contributors make no representations or give any warranty regarding the use, suitability, validity, accuracy, completeness, currency or reliability of the information, including any opinion or advice, contained in this publication. To the maximum extent permitted by law, FWPA disclaims all warranties of any kind, whether express or implied, including but not limited to any warranty that the information is up-to-date, complete, true, legally compliant, accurate, non-misleading or suitable.

To the maximum extent permitted by law, FWPA excludes all liability in contract, tort (including negligence), or otherwise for any injury, loss or damage whatsoever (whether direct, indirect, special or consequential) arising out of or in connection with use or reliance on this publication (and any information, opinions or advice therein) and whether caused by any errors, defects, omissions or misrepresentations in this publication. Individual requirements may vary from those discussed in this publication and you are advised to check with State authorities to ensure building compliance as well as make your own professional assessment of the relevant applicable laws and Standards.

The work is copyright and protected under the terms of the Copyright Act 1968 (Cwth). All material may be reproduced in whole or in part, provided that it is not sold or used for commercial benefit and its source (Forest and Wood Products Australia Limited) is acknowledged and the above disclaimer is included. Reproduction or copying for other purposes, which is strictly reserved only for the owner or licensee of copyright under the Copyright Act, is prohibited without the prior written consent of FWPA.

WoodSolutions Australia is a registered business division of Forest and Wood Products Australia Limited.

Contents

Introduction	4
Scope.....	4
How to Use This Guide.....	4
1 General Information	5
1.1 Bushfire Construction Requirements.....	5
1.2 Termite Protection.....	5
1.3 Timber Framing.....	7
1.4 Bearers and Joists.....	7
1.4.1 Structural Joints and Connections.....	7
1.4.2 Connector and Fasteners Durability.....	9
1.5 Decking Boards.....	9
1.5.1 Span Capacity.....	10
1.5.2 Nail Fixing.....	11
1.5.3 Machine-Driven Nails.....	12
1.5.4 Screw Fixing.....	12
1.5.5 Fixings to Steel Joists.....	12
1.5.6 Hidden Fixings.....	12
1.6 Fixing Deck Structure to Existing Buildings.....	13
1.7 Timber Finishes.....	13
1.7.1 Slip Resistance.....	13
1.8 Timber Durability.....	14
1.8.1 Natural Durability Classes.....	14
1.8.2 Preservative-Treated Timber Hazard Levels.....	14
1.9 Handrails and Balustrades.....	14
1.10 Maintenance and Wear.....	15
1.10.1 Pot Plants and Other Permanent Placed Items.....	15
1.10.2 Resealing the Deck.....	15
1.11 Tannin, Iron Stain and Resin Bleed.....	15
1.11.1 Tannin Bleed.....	15
1.11.2 Iron Stain.....	15
1.11.3 Resin Bleed.....	15
2 Specific Requirements	16
2.1 Raised Timber Decking.....	16
2.1.1 Sub-Deck Supports.....	16
2.1.2 Deck Framing and Decking Boards.....	17
2.2 Decks Close To or On-Ground.....	19
2.2.1 Sub-Deck Area Preparation.....	19
2.2.2 Footings.....	19
2.2.3 Termite Inspection.....	20
2.2.4 Deck Framing and Decking Boards.....	20
3 References	21
Appendix A – Common Decking Board Timber Species	22
Appendix B – Common Deck Problems	23

Introduction

Scope

This guide outlines key design and construction considerations for light domestic timber decks for both raised and close to or on-ground timber decks that are exposed to the weather.

It covers decks that are associated with Class 1 structures (such as detached houses, villas and townhouses) and Class 10 structures (such as garages, sheds and swimming pools) according to the National Construction Code (NCC) Volume 2. For the design and construction of decks for commercial, industrial or marine applications, or where a deck has to take heavier loads such as tiles, spas or even vehicles, a structural engineer must be consulted.

Terms used in domestic deck design and construction are illustrated in Figure 1.

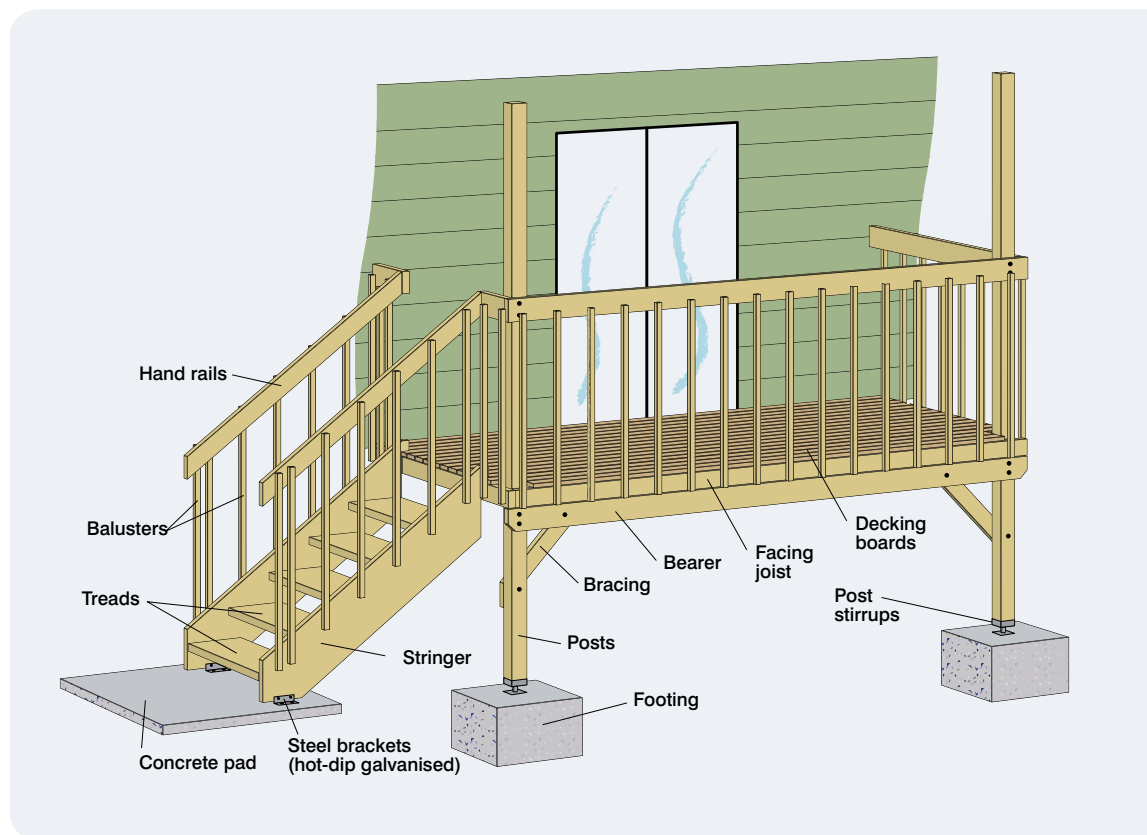


Figure 1: Components used to make up a timber deck

How to Use This Guide

Section 1 of this guide provides general information applicable to all types of light domestic decks. Information relevant to specific types of decks is contained in Section 2.

General Information

The following information is applicable to all deck systems.

1.1 Bushfire Construction Requirements

In all parts of Australia prone to bushfires, there are limitations on the use of timber in deck construction. This limitation varies depending on the risk of bushfire attack and the elements of the deck under consideration.

Appendix A of this guide contains a list of common timber species used for timber decks and the maximum Bushfire Attack Level (BAL) that the species can be used for in a deck, in accordance with AS 3959 *Construction of buildings in bushfire-prone areas*.

Refer to *WoodSolutions Technical Design Guide #4: Building with Timber in Bushfire-prone Areas* for further information. It also should be noted that South Australia and NSW have some differing requirements that need to be followed in those states.

1.2 Termite Protection

The National Construction Code includes requirements for decks. The decks must be:

- constructed from naturally termite-resistant timbers, in accordance with Appendix C in AS 39660.1, or
- constructed from preservative-treated timber in accordance to Appendix D of AS 3660.1; or
- have a termite barrier to protect the primary building elements installed in accordance with AS 3660.1.

Primary building elements include framing members, floor (decking boards), stairways and ramps, i.e. elements that take part of the building load.

Where installation of a termite barrier according to AS 3660.1 is chosen as the method to provide protection, AS 3660.1 requires attachments to buildings, such as decks, to be separated at least 25 mm from the building. Where this can't be achieved, the termite barrier must be extended to include the deck.

Termite protection can be achieved by placing all posts that support the deck framing on galvanised metal stirrups that have at least 75 mm clearance above the finished ground level (Figure 2).

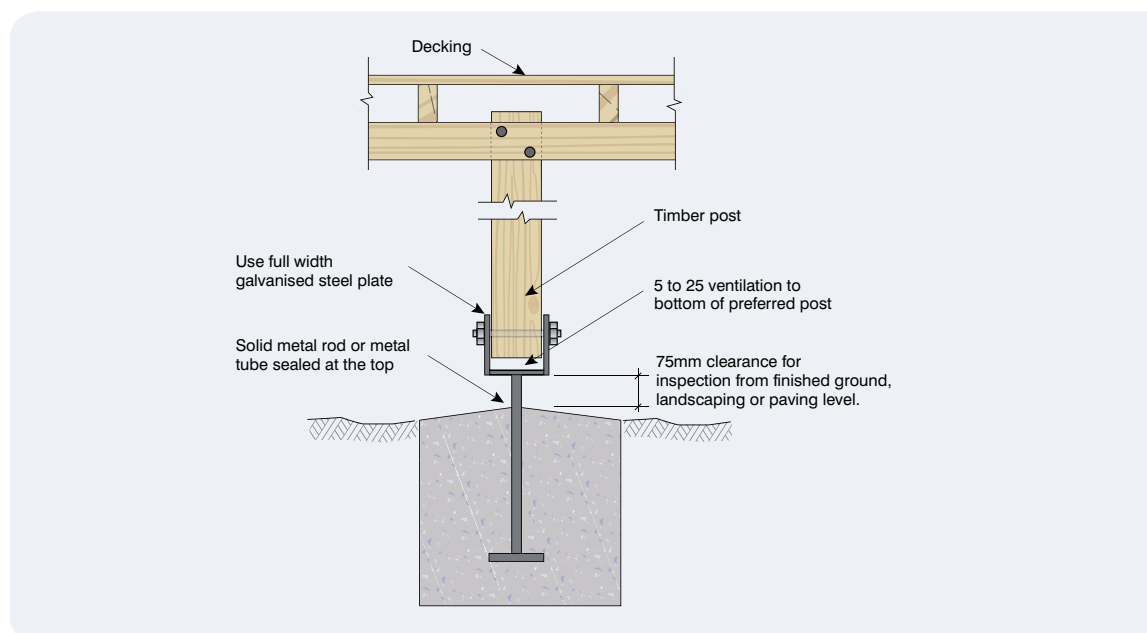


Figure 2: Metal stirrup supporting posts

Alternative deck supports include metal posts or brick piers. Where they are used a termite cap can be placed between the pier and the bearer. Refer to Figure 3 for metal posts and brick piers supports.

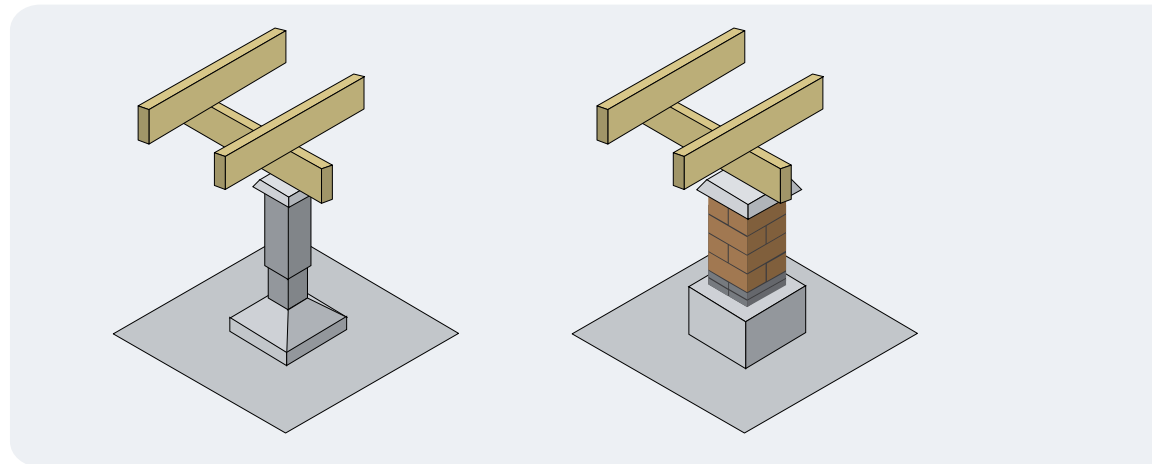


Figure 3: Metal and brick piers supports for timber decks

Where engaged brick piers to the external wall are used to support bearers in addition to the termite cap, AS 3660.1 requires the bearer and joist of the deck to provide a gap of 25 mm between the wood surface and the building envelop (Figure 4). Again this is to ensure adequate termite inspection can take place.

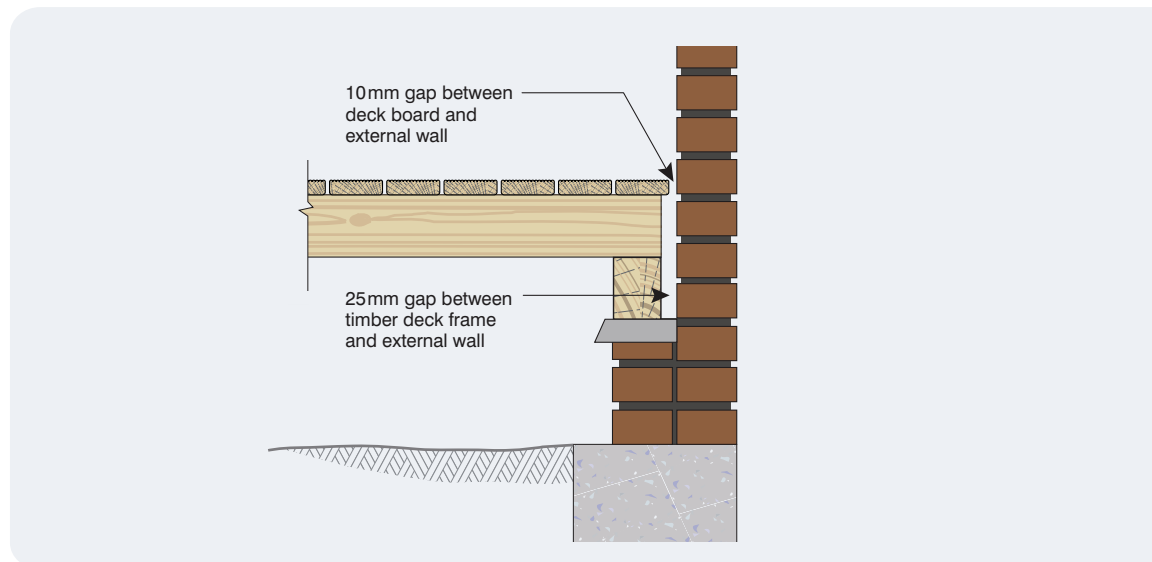


Figure 4: Illustration of a 25 mm gap between timber deck frame work and brick external wall.

A good design technique is one that makes the inspection for termites easier, irrespective of what termite prevention method is employed to comply with the NCC. One method is having the decking boards that are parallel to the house envelop screwed instead of nailed, which allows easy and regular inspection without causing damage to the decking boards (Figure 5).

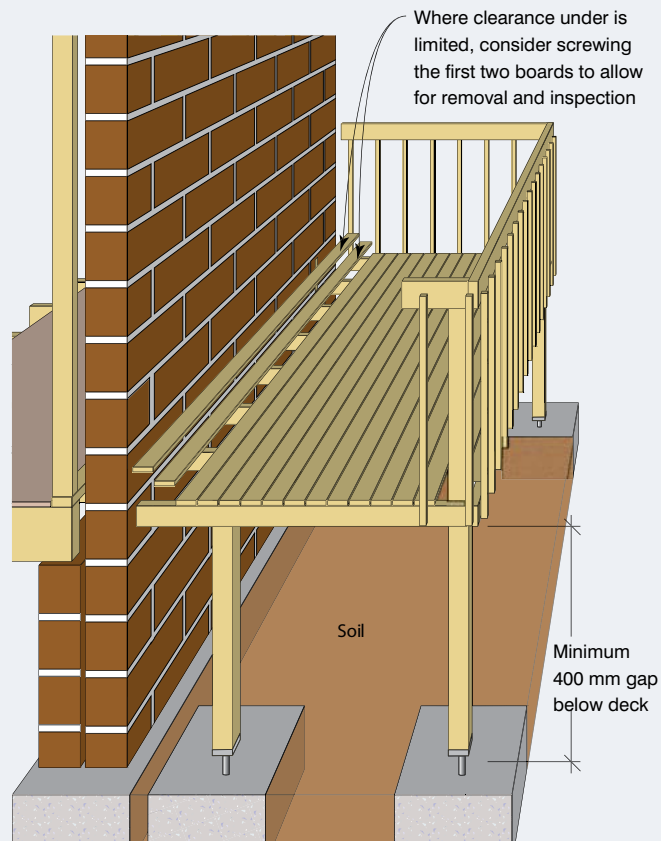


Figure 5: Strategy to improve inspections at the interface of a timber deck and the house envelope.

The Termite Risk Management Handbook, which details further strategies to minimise termite risks, is available from the WoodSolutions website.

1.3 Timber Framing

The following requirements for timber framing of a deck are based on the Australian Standard AS 1684 Residential Timber-framed Construction.

1.4 Bearers and Joists

Bearers and joists come in a variety of stress grades, timber types and sizes and their availability will vary from one region to the next. Before designing a deck, check availability with local suppliers of timber.

The available stress grades in unseasoned hardwood are usually F11 and F14, while seasoned hardwoods are available in F17 or F27 stress grades. Treated softwoods are predominately available in F7 stress grade; however, F5 and MGP10 are available in some regions.

For deck floors greater than 1,000 mm above the finished ground level, bearer sizes can be found in the span Table 49 in AS 1684. For deck floors less than or equal to 1,000 mm greater than the finished ground level, span Table 5 in AS 1684 can be used. Both these tables assume a minimum end bearing of 50 mm by bearer width, and intermediate bearing of 100 mm by bearer width for continuous bearers.

To avoid splitting when receiving nails or screws from placement of decking boards, joists that are at least 45 mm wide (seasoned hardwood and treated softwood) or 50 mm wide (unseasoned hardwood) are recommended. This is particularly relevant where decking boards abut over the joist as the fixings can be placed further from the board's end. For deck floors greater than 1,000 mm above the finished ground level, joist sizes can be found in span Table 50 in AS 1684. For deck floors less than or equal to 1,000 mm greater than the finished ground level, Table 6 in AS 1684 can be used. Joists of 35 mm or 38 mm wide are only suitable where proprietary deck fixings are fixed to the side of joists.

The recommended timber sizes for the bearers and joists are for when timber decking boards only are being used. Where the deck is to be tiled or a spa or hot tub is built into a deck, the sizes in AS 1684 are not applicable. In these circumstances advice should be sought from a structural engineer.

Engineered timber products used in exterior applications have a varying degree of performance and are dependent on the type of engineered wood product, level of exposure and projection methods employed. Individual manufacturers of engineered wood products should be consulted prior to considering the use of engineered wood products in deck construction.

Placing a layer of 110 mm malthoid dampcourse or proprietary protection strip on top of a joist will increase its service life (Figure 6).

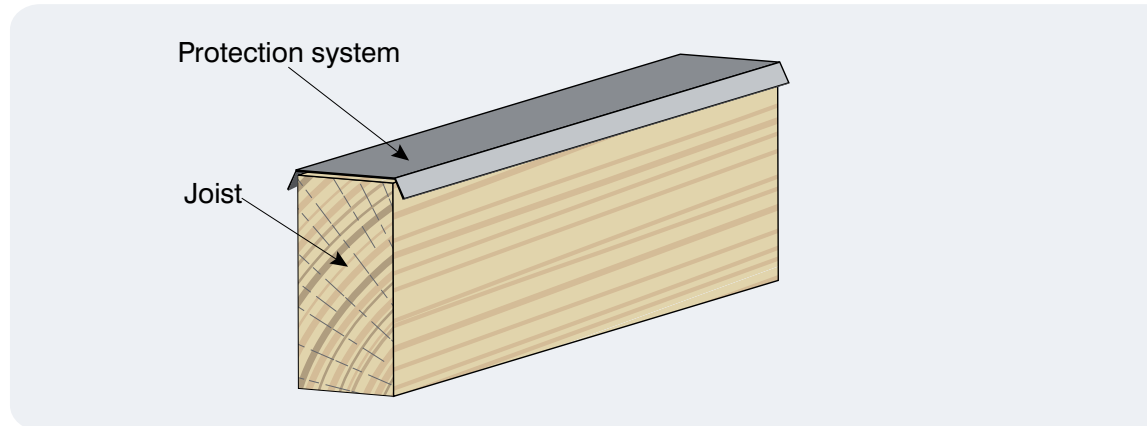


Figure 6: Protection strip over deck joists

1.4.1 Structural Joints and Connections

The joints between posts, bearers and joists need to be able to transfer load efficiently through the structure – refer to AS 1684 for design of these elements. Where possible, bearers and joists should be long lengths and continuous, spanning over at least three supports.

Where joints in bearers are required they must occur over supports and provide adequate bearing for each bearer. Joints in joists must be made over a bearer and have a minimum of 30 mm of bearing for each joist. Figure 7 illustrates methods to join joists, where they are required to be in line. Scarf or butt joints can be used with a minimum of 30 mm of bearing for each joist.

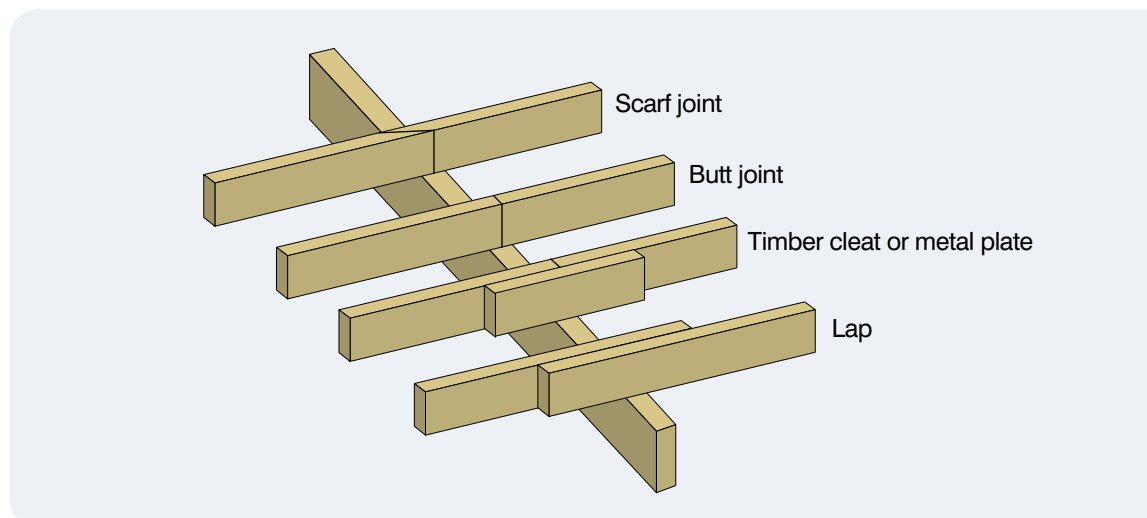


Figure 7: Joints in deck joists

1.4.2 Connector and Fasteners Durability

All connections should be of sufficient durability. All framing bolts, screws, nails, and other hardware should be hot dipped galvanised or stainless steel. Electroplated fasteners are not suitable due to early breakdown of the plating. Fixings within the splash zones (minimum 1.0 m from pool edge) of swimming pools or in coastal zones must be stainless steel. Fixings for preservative-treated decking boards should be hot dipped galvanised, stainless steel or with a coating approved for use with treated timber decking.

Refer to *WoodSolutions Design Guide #5: Timber Service Life Design – Design Guide for Durability* for further information on estimated service life of connectors.

Due to moisture potentially being trapped at the interface of crossing timber members, e.g. bearer and post connections, a timber sealer should be used between the interfacing elements.

Timber washers need to be appropriately sized (Table 1).

Bolt	Washer Size		
	Thickness	Round Washer Minimum diameter (mm)	Square Washer Minimum side length (mm)
M8	2.0	36	36
M10	2.5	45	45
M12	3.0	55	55
M16	4.0	65	65
M20	5.0	75	75

Table 1: Timber washer selection guide coach screws or bolts Note: Source: AS1720.1

1.5 Decking Boards

There are three main types of decking board profiles available: plain, pencil round and ribbed/reeded (Figure 8).

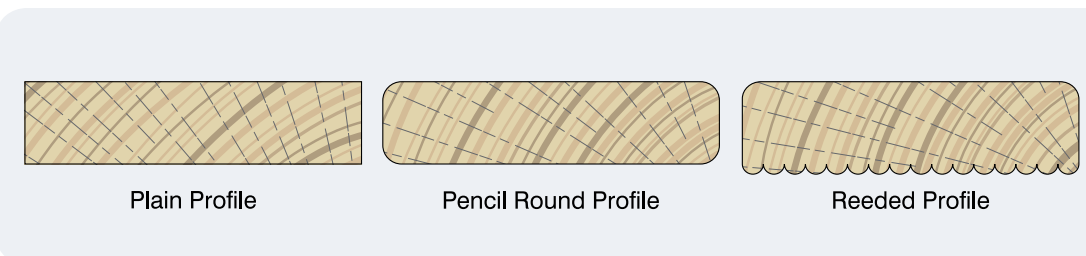


Figure 8: Decking board profiles

Plain profile decking is not common as the square edges of the boards are more prone to splintering. Pencil Round has significantly less chance of splintering compared to plain boards and is the most common decking board available. Ribbed (or reeded) board profile can be used faced up or down. Where ribbed boards are used face up, care should be taken in moist areas that the boards are kept free of mould and moss build up that can make them slippery.

Decking boards are available in various widths. For 19 mm thick Australian species boards, the widths that are usually available are 64 mm and 86 mm. Imported hardwood decking species are generally available in 70 mm or 90 mm widths. Other widths are available but consultation with suppliers regarding availability is required before specifying.

In all cases it is recommended that boards with a narrow width are selected because it is easier for water to drain through the deck. Where wider boards are selected they will need to be thicker to reduce the possibility of cupping developing.

Tongue and grooved timber, plywood or particleboard sheet flooring products are not recommended for use as decking in weather-exposed situations.

1.5.1 Span Capacity

Various timber decking boards have different span capacity. Table 2 gives maximum span of the common decking board timber types and thicknesses.

Decking	Stress grade	Thickness (mm)	Maximum joist spacing (mm)
Hardwood	Medium Feature Grade or Standard Grade (AS 2796)	19	500
Cypress	Grade 1 (AS 1810)	19 21	400 450
Treated Softwood	Standard grade (AS 4785)	19 22	400 450

Table 2: Maximum joist spacing for various decking boards. Source: AS 1684

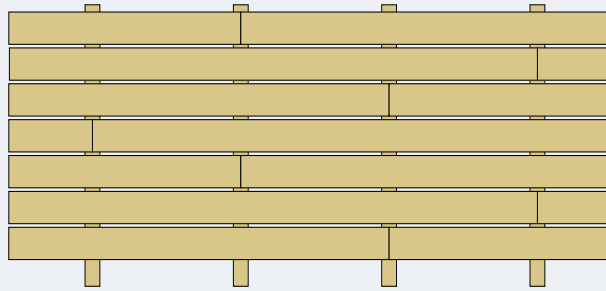


Figure 9: Illustration of staggered decking boards.

Deck boards can be laid in various directions to add style to the project; refer to Figure 10 for various decking patterns. Care is required to ensure that decking boards that are not perpendicular to the joists do not span further than the maximum joist spacing allowed (see Table 2). For example, 19 mm Standard grade hardwood decking boards at 45 degrees to the joists will require the joist spaced at 350 mm to maintain the maximum allowable span of 500 mm.

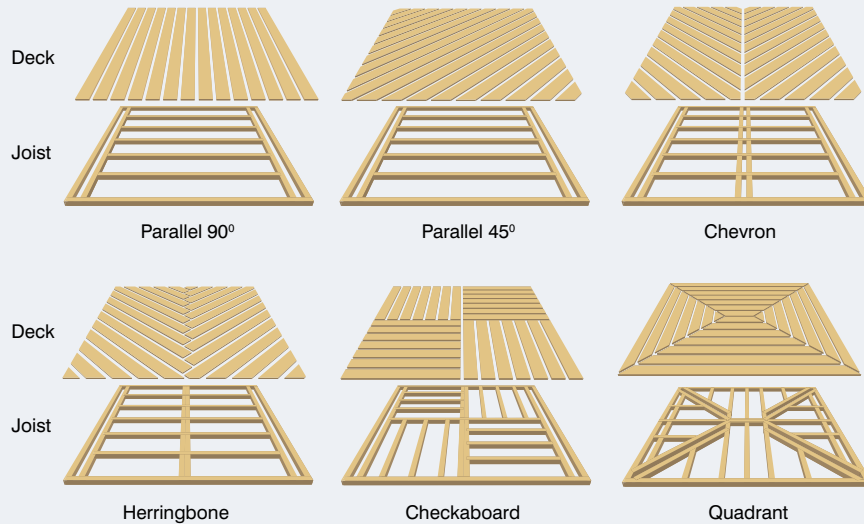


Figure 10: Decking board patterns.

Decking boards should also be kept 10 mm clear of the building wall to allow a drainage gap between the building wall and the boards (Figure 11).

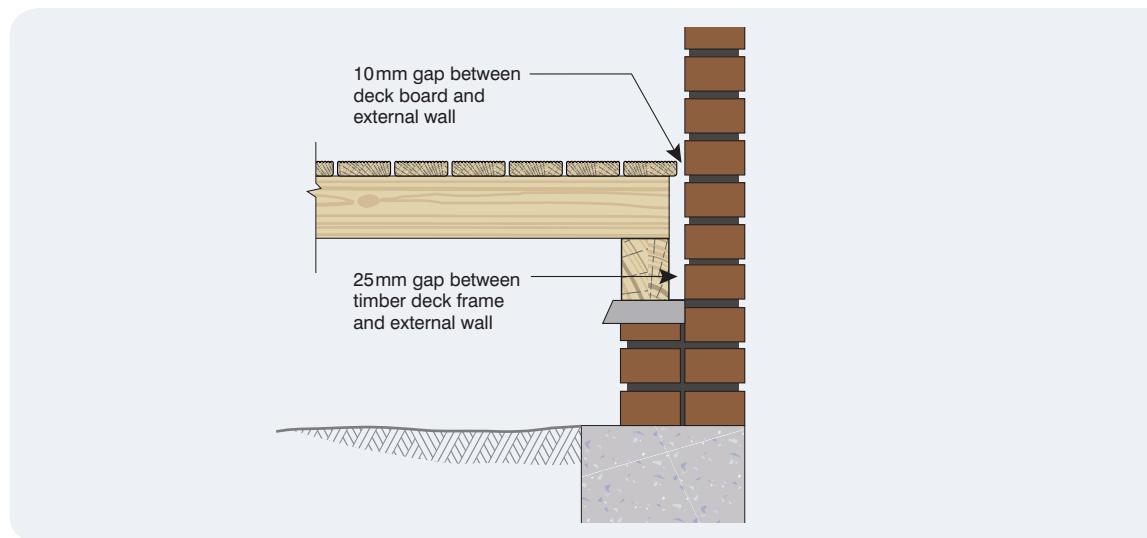


Figure 11: Decking Board kept away from walls.

1.5.2 Nail Fixing

Each board must be fixed at each joist with at least two nails, which should be finished flush with the top of the boards (rather than punched) to prevent moisture being trapped. Where the fixing occurs, other than at the ends of the board, nails should be staggered across the joist to avoid the possibility of cracks caused by moisture movement in the decking (Figure 12).

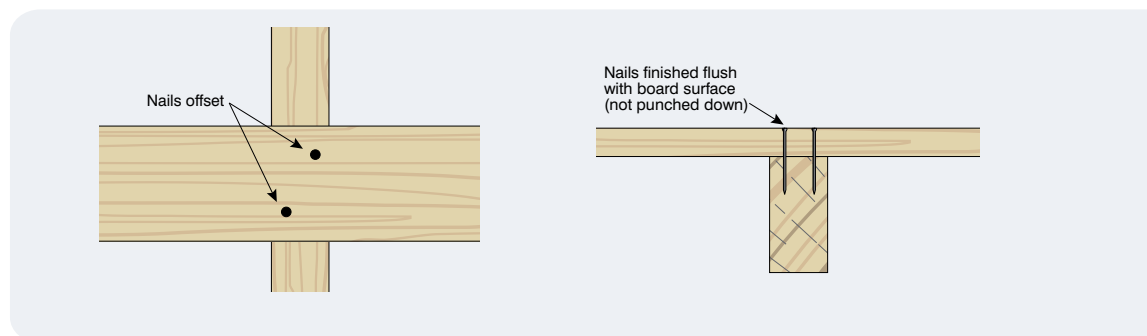


Figure 12: Illustration of nail fixing timber decking.

To obtain a tight fit at joints for abutting boards, a slight under-cut is recommended (Figure 13). To reduce the splitting of the decking board, nails or screws must be kept a minimum of 12 mm from edges and the boards end and holes predrilled. The drilled nail holes should be 80% of the nail diameter.

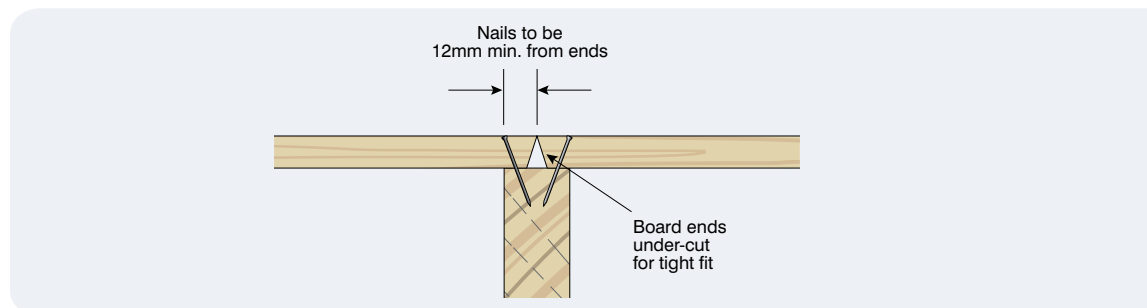


Figure 13: Nailing at board ends.

Table 3 describes the minimum hand-driven nails that can be used for decking up to 22 mm thick and the deck joists.

Decking	Joists	Nailing - 2 nails per board crossing			
		Machine driven		Hand driven	
		50 x 2.5 flat or dome-head		50 x 2.8 bullet-head	
Hardwood or cypress	Hardwood or cypress	50 x 2.5 flat or dome-head		50 x 2.8 bullet-head	
	Treated softwood	50 x 2.5 flat-head deformed shank	65 x 2.5 flat-head or dome-head	50 x 2.8 bullet-head deformed shank	65 x 2.8 bullet-head
Treated softwood	Hardwood or cypress	50 x 2.5 flat or dome-head		50 x 2.8 flat or dome-head	
	Treated softwood	50 x 2.5 flat-head deformed shank	65 x 2.5 flat-head	50 x 2.8 flat head deformed shank	65 x 2.8 flat-head

Table 3: Minimum hand-driven nail size for various timber species decking and joist combinations.

1.5.3 Machine-Driven Nails

Machine-driven nail properties usually vary between nailing gun manufacturers and are considered proprietary to the manufacture. Machine-driven nails can be used as long as the nail has the same capacity as the hand-driven nails detailed in Table 3. T-nails should not be used. Care is required when using machines to ensure the nail head is not driven below the surface of the board.

1.5.4 Screw Fixing

As is the case for machine-driven nails, screw requirements are not referenced in AS 1684. The principles described above for machine nails should be followed for screws. Types of screws are usually proprietary information and reference to the manufacturer's specification is required.

1.5.5 Fixings to Steel Joists

Screws normally used for fixing timber decks are not suitable for fixing timber decking to steel joists. This is due to the seasonal and differential expansion and contraction of timber decking against the steel substructure that may cause the screws to fail in shear. It is recommended that a timber batten is affixed above or beside the steel joist so the decking board is nailed or screwed to this timber batten. The size of any timber batten must allow adequate fixing for the decking to batten as well as the batten to the steel joist.

1.5.6 Hidden Fixings

There are a number of proprietary systems available that fix the decking at the side of the board. Refer to Figure 14 for an illustration of one system. Most systems require a groove into the side of the decking for fixings while some use spikes. In all cases the fixing systems are proprietary and manufacturers' recommendations must be followed.

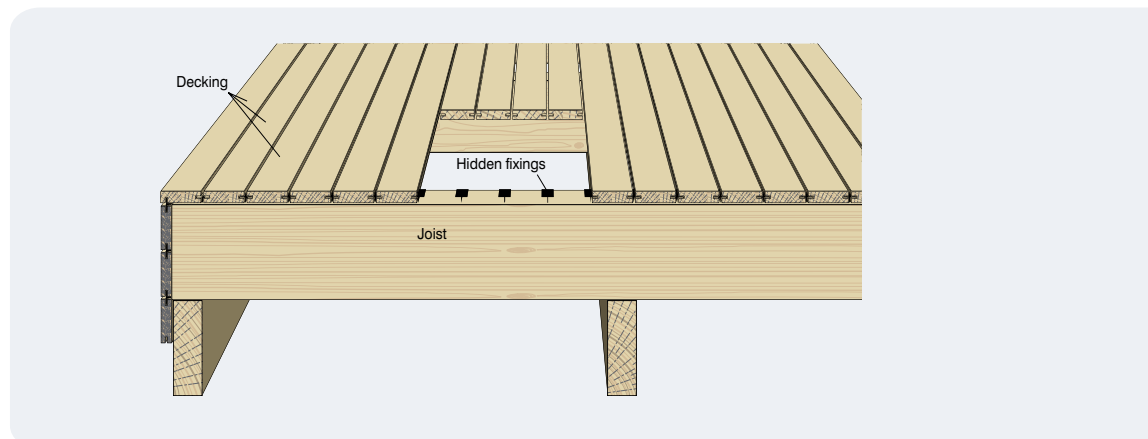


Figure 14: Hidden timber deck fixings.

1.6 Fixing Deck Structure to Existing Buildings

Care is required in the fixing of a deck sub-structure to existing structures as this is a common source of deck failure. It is recommended that the deck be self-supported on its own posts or piers off the exterior fabric of the building. Where this is not possible, advice from a structural engineer is required to ensure adequate fixing.

Care is also required in the way decks interface with the building exterior fabric, as water ingress into the house may develop at this crossing point. Flashing is one way to provide a barrier to prevent moisture entering the house.

1.7 Timber Finishes

It is important that a suitable finish be applied and maintained to protect the surface of the timber from weathering and to maintain an attractive appearance. This protective finish of the timber surface will reduce the effects of weathering of any timber (treated or untreated) in an exposed situation. From a durability perspective, the main function of the finish is to slow down the rate at which the timber will take up or lose moisture. By slowing that rate down, the severity of any checking on the surface of the timber is considerably reduced. The finish should contain a fungicide to prevent mould growing on any sugars or starches that may be in the finish.

There are two main types of timber finishes:

- **Film-forming finishes**, such as paints, clear surface coatings and heavy-bodied stains appear as a layer on the surface of the timber, visually creating a smooth surface and do not penetrate significantly into the surface of the timber.
- **Penetrating finishes** such as water repellents, decking oils and decking stains penetrate into the surface of the timber and do not form a significant surface film. Due to the wear expected with foot traffic, penetrating finishes are better for decking boards than film-forming finishes.

Translucent coatings and stains are typically a combination of film-forming and penetrating coatings with added preservatives, fungicides, and colourants. The degree of film formation and penetration varies with product and manufacturer.

As a minimum, a protective finish should be applied to all surfaces (including any freshly cut ends) of each decking board, preferably before fixing to the joists. A protective finish includes products that penetrate the surface of the timber and products that provide a film or coating to the surface of the timber.

Further information on timber finishes can be found in *WoodSolutions Design Guide #13: Finishing Timber Externally*.

1.7.1 Slip Resistance

Where there is a risk of the deck becoming slippery when wet, especially if it is not kept clean and brushed regularly, the slip resistance of the decking boards can be increased by the choice of finishes or the addition of slip-resistant strips.

Slip-resistant finishes can be achieved by adding slip-resistant additive to the deck finishing product. Some coating manufactures have products with anti-slip particles already included, while others have particle that can be added to common standard coating products. Refer to the coating product manufacture for more information.

The WoodSolutions website contains a list of timber species and, where available, the above-ground and in-ground natural durability ratings for each species according to Australian Standards are given.

1.8 Timber Durability

The recommended durability of the timber for deck sub-structure and decking boards is in Section B of this guide. In all cases, either a recommended natural durability class or preservative-treated timber hazard level is given.

1.8.1 Natural Durability Classes

There are two natural durability classes used in this guide: 'above-ground' (AG) and 'in-ground' (IG) and they refer to the heartwood of the timber only. The sapwood of all timber species is considered non-durable when exposed to the weather. A number of Australian Standards list the above-ground and in-ground natural durability class for various timbers and these Standards are:

- AS 1684 Parts 2 and 3 Residential timber-framed construction
- AS 5604 Timber - Natural durability ratings

Other sources of information on timber durability can be found in:

- Keith Bootle's *Wood in Australia*
- WoodSolutions *Technical Design Guide #5: Timber Service Life Design - Design Guide for Durability*

The natural durability class of many imported timbers can also be found in the Australian Standards referenced above.

Where there is no durability class given for a timber species, an indicator of performance can be found for a number of timber species from the paper; *Natural Durability of Wood: A Worldwide Checklist of Species*, Scheffer and Morrell, 1998. Note, the durability classes quoted in this publication, do not correspond with Australia's timber durability system.

Specifiers in Queensland must also refer to the *Construction Timber in Queensland* guide available from the Queensland Department of Agriculture Fishery and Forestry.

1.8.2 Preservative-Treated Timber Hazard Levels

Australian Standard AS 1604 *Timber – Preservative-treated – Sawn and round* defines the retention rates for various timber preservatives for different exposures and hazard levels.

Handrail or decking boards treated with the preservative Copper Chrome Arsenate (CCA) are not allowed to be used in areas where children could come into frequent or intimate contact with it. CCA-treated timber can be used in other locations of the deck, such as sub-floor framing, roof rafters, and so on. Timber treated with other preservatives such as ACQ (alkaline copper quaternary), copper azole or LOSP (light organic solvent preservatives) can be used as handrails and decking boards.

Timber treated with LOSPs is not suitable for in-ground use (H4 or H5 hazard level) and timber treated for additional resistance to termites (H2f, H2s and H2 hazard level) is not suitable for use in weather-exposed applications.

1.9 Handrails and Balustrades

If the deck is more than one metre off the ground, handrails or balustrades are required. The choice of appropriate handrails and balustrades will depend on the design and application and even location in relation to other structures. For example, balustrades for decks next to a swimming pool vary from balustrades required in the NCC for fall protection. Further information can be found in *WoodSolutions Technical Design Guide #8: Stairs, Balustrades and Handrails Class 1 Buildings - Construction*.

1.10 Maintenance and Wear

Timber is a natural product and, as deck timbers weather, small cracks (or checks) are likely to appear on the surface of the boards. These cracks are caused by the intermittent wetting and drying of the wood. They are part of the character of wood and have no structural effect. This natural ageing process can be slowed by the use of finishes, as discussed above, which reduce moisture movements in timber.

All decks will benefit from regular maintenance, otherwise the decking boards will discolour and the surface will become rough and prone to splinters. A poorly maintained deck is also susceptible to mould which can make the surface slippery or reduce the service life of the decking boards.

The deck should be cleaned regularly. When cleaning the deck, avoid hosing it down; use a broom or a blower instead.

1.10.1 Pot Plants and Other Permanent Placed Items

Pot plants or other items that are not moved regularly should be elevated off the deck. Pot plants should be placed in drip trays. To minimise uneven weathering of the deck, all items should be moved regularly.

1.10.2 Resealing the Deck

At least once a year, or as indicated by the coating manufacturer, the deck should be thoroughly cleaned, and resealed or stained. The process involves the removal of dirt, algae, moss and other organic matter.

Clean the deck by hosing it down with an appropriate deck-cleaning solution. The deck should then be scrubbed and rinsed. During this process, check for loose boards and nails or screws that stick up and make any necessary repairs. Also examine all areas where deck boards come into contact with any joists or any point that comes into contact with the ground. These areas are particularly susceptible to moisture damage.

Allow the deck to dry and reseal it with the sealer or stain originally applied. Where a different finish is used to the original finish, check with the manufacturer about using different types of sealers or stains, as mixing them may prevent adhesion of the new coating.

1.11 Tannin, Iron Stain and Resin Bleed

1.11.1 Tannin Bleed

Most hardwood timber species contain water-soluble extractives that provide colour and some natural decay resistance to the timber. Water-soluble extractives may be leached to the surface of the timber whenever moisture leaves the timber. Because the discolouration is water-soluble, it can be washed to other surfaces and may leave an unsightly stain that can be difficult to remove from brickwork, concrete or any paving underneath the deck that is not sealed. To lessen the likelihood of such extractives bleeding and staining, use seasoned timber and apply a water-repellent finish to all surfaces including any freshly cut ends.

1.11.2 Iron Stain

Any iron filings that are not cleaned from the surface are likely to react with moisture and the timber extractives to create unsightly black staining on the timber. Avoid using any power tools on, near or above an uncovered deck that may deposit fine iron filings or dust on the timber surface. Particular care should be taken with cutting metal, masonry, brick or ceramics with an angle grinder. Cutting bricks or tiles with an angle grinder creates iron filings from the metal mesh that forms the base of the cutting disk. Storing or leaving metal on the deck for long periods of time may also cause tannin stain.

1.11.3 Resin Bleed

Some softwood timber species boards such as radiata and slash pine can be prone to resin bleed. Ideally, if a board shows obvious signs of resin bleed it is preferable not to use that board or to cut out the affected area. If it has to be fixed in the deck, it should be fixed in a position where the resin bleed won't be a problem. Sometimes it may not be obvious that a board is prone to resin bleed until after the finished deck has been exposed to a period of hot weather. In such circumstances, the resin can be cleaned up or the offending board replaced.

2

Specific Requirements

2.1 Raised Timber Decking

A raised timber deck is any timber deck where the decking boards are more than 400 mm above the finished ground (Figure 15). It is assumed there is appropriate drainage available for water and adequate cross-flow ventilation underneath the deck. Adequate cross-flow ventilation for decks is regarded as the same as the minimum requirement for raised timber floors in houses. For the minimum cross-ventilation requirements, refer to NCC, Volume 2, Part 3.4.1.

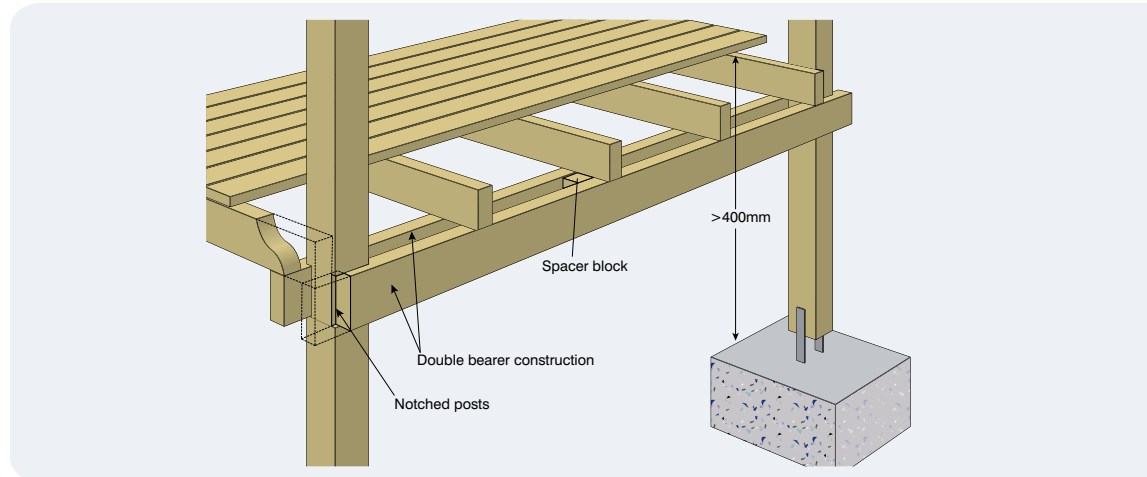


Figure 15: Raised timber deck

2.1.1 Sub-Deck Supports

The sub-deck supports transfer horizontal and vertical loads into the ground, sometimes including uplift forces, particularly where decks are covered with a roof.

Footings

Footings for supporting posts are usually designed in two ways. The most common method is concrete footings with galvanised stirrups embedded or fixed in the footings to support the posts (Figure 16).

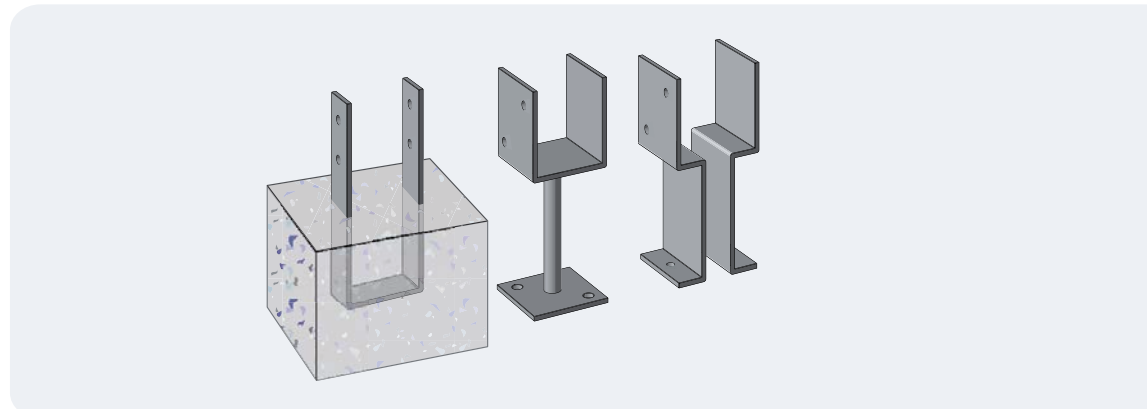


Figure 16: Proprietary metal stirrups

An alternative method is to support the deck post by embedding the post directly into the concrete footing. When this method is used, care is required to use no-fines concrete, have adequate concrete under the post and slope the top of concrete footing away from the post (Figure 17).

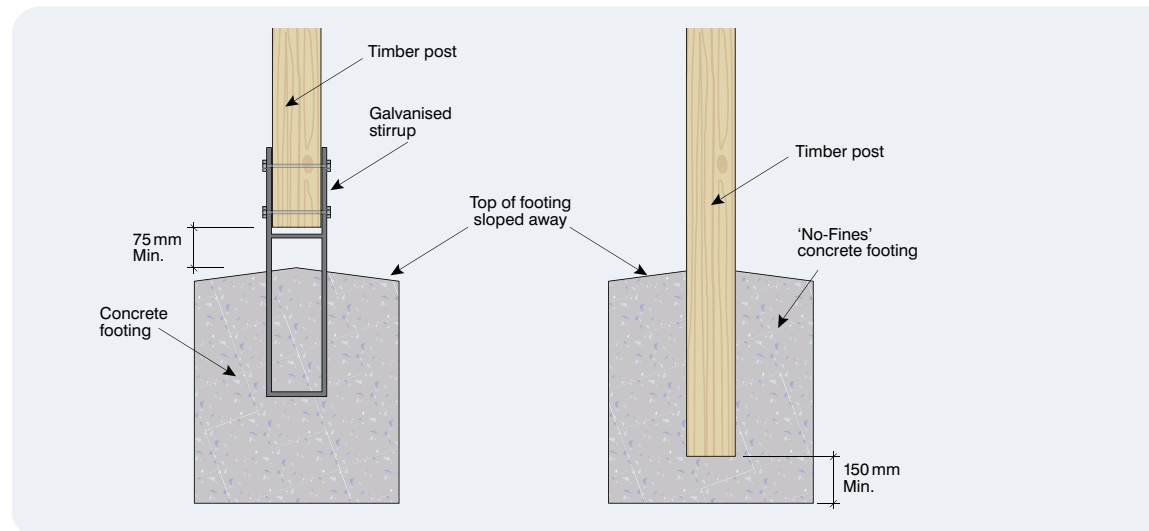


Figure 17: Post embedded into concrete footing

The design of footings is outlined in AS 2870 or AS 1684. Usually, the soil classification and expected loads on the deck are required to be known. Decks designed to AS 2870 and AS 1684 are for decks used for housing with average loads and ground conditions. If these conditions are not met (e.g. the deck needs to support a spa or the deck is to be tiled), the design needs to be considered by a structural engineer.

2.1.2 Deck Framing and Decking Boards

Timber selection

Unless the deck is completely protected by a roof, the timber framing and boards will be exposed to the weather, so it is essential that the selected timber can provide good service life in those conditions.

Timbers used above the ground (framing, boards and posts on stirrups) should be hardwoods rated above-ground natural durability class 1 or 2 (plus sapwood removed or H3 treated) or, if softwood is used, preservative-treated to at least H3 hazard level. Softwood timber that is treated to H2, H2F or H2S hazard level is not suitable for use in the construction of decks. Timber embedded in the ground (embedded posts) should be in-ground natural durability class 1 or be preservative treated to H5 hazard level. Refer to Appendix A for a list of common timbers and their above-ground and in-ground natural durability ratings. Durability ratings only refer to the heartwood of the timber. Sapwood is not durable when exposed to the weather.

A wide variety of engineered wood products is now available on the market, such as glue-laminated timber, finger-jointed timber and LVL products. If these products are being considered, direct reference to specific manufacturer recommendations is required. In most cases there are additional requirements or limits when these products are used in applications such as decks where they are exposed to the weather. Timber I-beams (treated or untreated) are not suitable for use in the construction of decks.

Posts

As described previously, posts are usually connected to concrete footings via a stirrup. They are generally preservative-treated softwood (H3 hazard level) or natural above-ground durability Class 1 or 2 timber species.

The span tables within AS 1684 have the required timber sizes for posts. These are dependent on the deck area, roof area (if any), post height and stress grade of the timber selected. Common cross-sectional sizes for posts vary, but usually start at 88 mm and upwards. Minimum sizes for posts are also governed by the distance between the ground and the underside of the bearers. The maximum height of a deck above the ground for a given post dimension is 15 times the face width of the post.

Deck posts need to be braced and AS 1684 has various bracing methods. These methods are either cross bracing between posts (Figure 18) or as a cantilever timber stump (Figure 19).

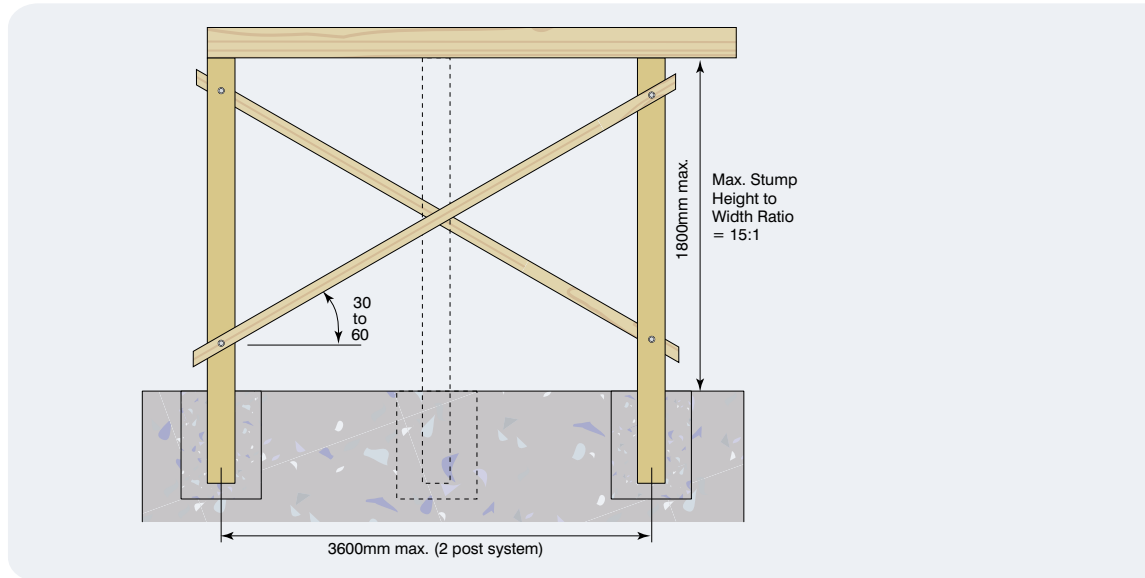


Figure 18: Braced timber posts

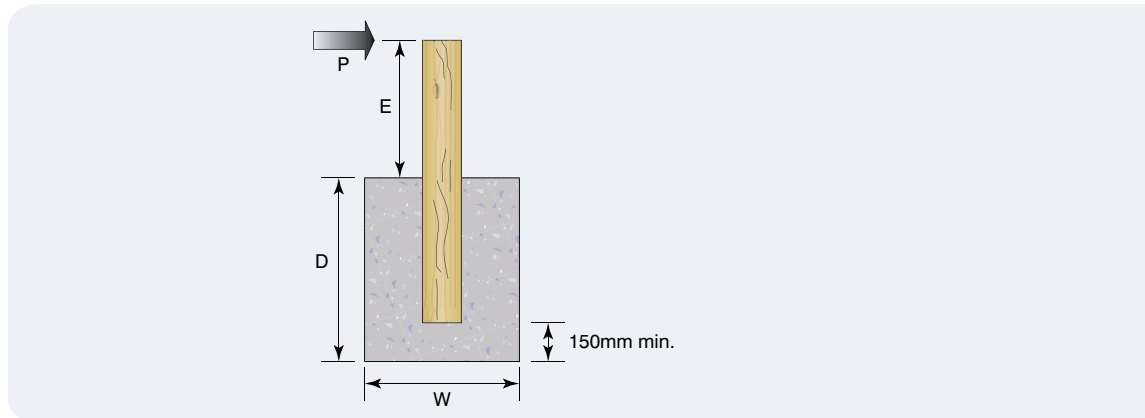


Figure 19: Cantilever timber stump

Deck board spacing

The purpose of spacing decking boards is to allow seasonal movement of the timber so a gap is maintained to allow water to drain freely. The gap must not be so far apart that it forms a trip hazard. The size of the gap between the boards depends on:

- whether it is a hardwood or softwood timber species;
- the decking board cover width; and
- the moisture content of the timber during the installation process, i.e. unseasoned decking board requires less of a gap than seasoned decking boards.

A gap of 3 mm to 4 mm is ideal over the long term. Table 4 shows the recommended spacing at the time of decking board installation.

	Decking cover width (mm)	Seasoned or unseasoned	Recommended decking gap
Hardwood	86 to 90	Seasoned	3 - 4 mm
	91 to 140	Seasoned	4 - 5 mm
	86 to 90	Unseasoned	2 - 3 mm
	91 to 140	Unseasoned	2 - 3 mm
Softwood	70 to 90	Seasoned	3 - 4 mm
	91 to 120	Seasoned	4 - 5 mm

Table 4: Recommended decking gaps at installation.

Note: In South Australia the NCC construction practices in bushfire-prone areas require a gap between decking boards of a set distance. Refer to NCC Volume 2.

2.2 Decks Close To or On-Ground

When decking is less than 400 mm off the ground, additional consideration to ensure adequate performance and service life of the timber is required (Figure 20). This includes increased ventilation, sub-surface drainage, increased timber durability/preservative treatment and access for termite inspection and maintenance.

Where any of the conditions described in the guide cannot be met, performance may be affected and the service life of the deck will be reduced.

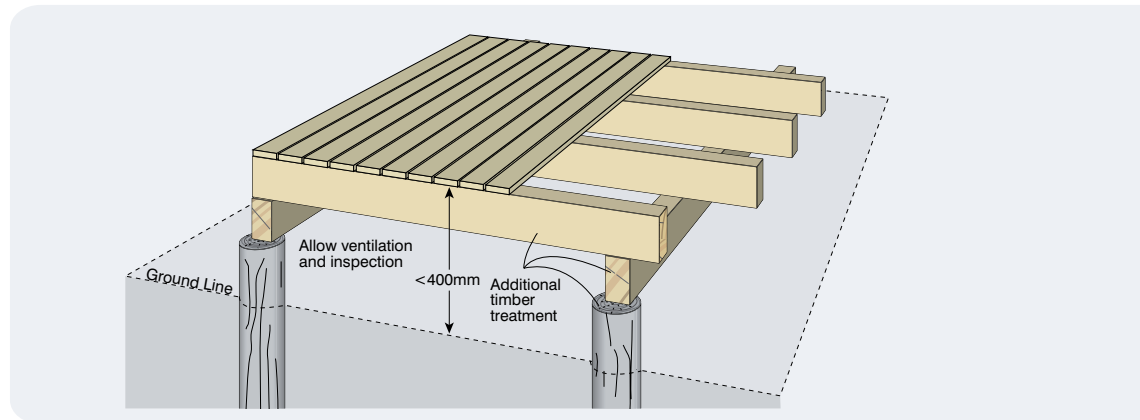


Figure 20: Timber deck close to the ground

2.2.1 Sub-Deck Area Preparation

It is important that the ground beneath the deck is completely cleared of all building rubbish, garden debris and obstructions to water or air movement. Water must not be able to pool under the deck and the ground must be sloped away from the foundations of the house or other nearby buildings. Agricultural drainage pipes may be required in some instances so water can properly flow away from beneath the deck.

Plastic sheeting acting as a waterproof membrane should be placed on the cleared ground. If timber bearers are to be placed directly on the ground, the plastic sheet should be covered with compacted gravel or sand to provide a solid base.

2.2.2 Footings

There are two main ways these can be arranged:

- Concrete beams, with joists sitting on top, with no need for bearers (Figure 21).
- Bearers placed straight on to the ground or soil (Figure 22).

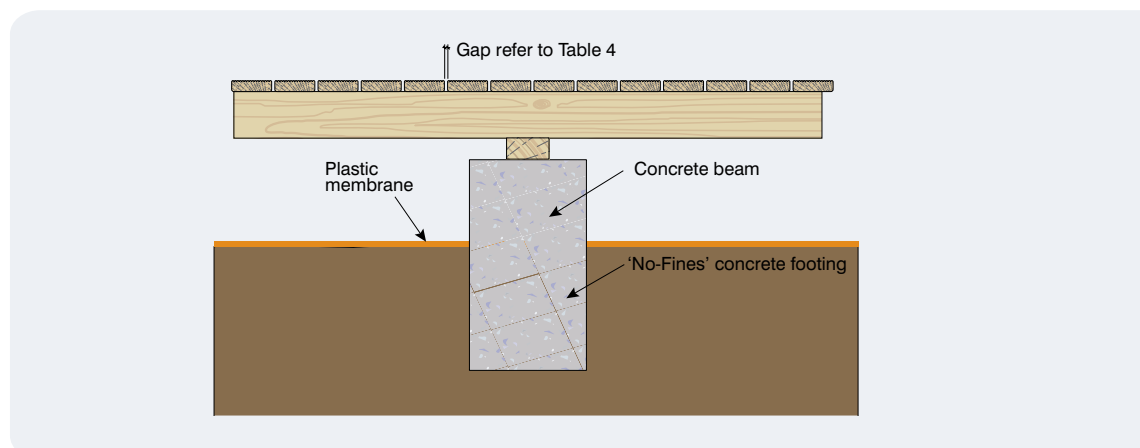


Figure 21: Concrete beam footing

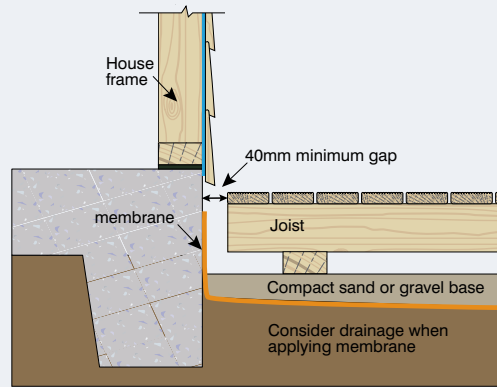


Figure 22: Bearer directly on to ground

Concrete foundations and bearers should be placed so they don't restrict the flow or drainage of water. The perimeter of the deck should be kept open to allow for ventilation. Preferably, a decking system should be designed so it is panelised. The panels need to be sized so that they can be easily lifted to allow for easy maintenance and inspection.

2.2.3 Termite Inspection

Only termite-resistant timber should be used (see section above) and there should be a gap between the house and deck of at least 40 mm to allow for pest inspection and air flow (Figure 22).

2.2.4 Deck Framing and Decking Boards

Timber selection

Timbers used close to or on the ground require additional durability as well as termite resistance. Framing timbers more than 150 mm above the ground should be termite resistant and above-ground durability Class 1 or 2 (plus sapwood removed or H3 treated) or softwood preservative treated to at least H3 hazard level. Framing timbers on the ground or lower than 150 mm should be termite resistant and in-ground durability Class 1 (plus sapwood removed or H4 treated) or preservative treated to H4 or better. Durability ratings refer to the heartwood only of the timber.

Decking boards should be termite resistant above-ground natural durability Class 1 or 2 (plus sapwood removed or H3 treated) or preservative treated to H3 or better. To reduce likelihood of excessive movement and allow for more ventilation, the minimum width board should be selected.

Decking board spacing

The decking should be the minimum width available and have a minimum spacing between boards (long term) of 5 to 6 mm to allow water to flow between the boards and ensure adequate ventilation.

3

References

Australian Building Codes Board, National Construction Code Series, Volume Two

Australian Standards

AS 1604.1 Specification for preservative treatments, Part 1: Sawn and round timber
AS 1684.2 Residential timber-framed construction, Part 2: Non-cyclonic Areas
AS 1684.3 Residential timber-framed construction, Part 3: Cyclonic Areas
AS 2870 Residential slabs and footings
AS 1810 Timber - Seasoned cypress pine - Milled products
AS 2796.1 Timber - Hardwood - Sawn and milled products - Product specification
AS 2870 Residential slabs and footings standard
AS 4785.1 Timber - Softwood - Sawn and milled products - Product specification
AS 5604 Timber - Natural durability ratings

Queensland Department of Agriculture Fishery and Forestry, Construction Timber in Queensland

WoodSolutions Technical Design Guides:

#04 Building with Timber in Bushfire-prone Areas - BCA Compliant Design and Construction Guide
#05 Timber Service Life Design - Design Guide for Durability
#08 Stairs, Balustrades and Handrails - Class 1 Buildings - Construction
#13 Finishing Timber Externally

Bootle, Wood in Australia, Second Edition




Scheffer and Morrell, Natural Durability of Wood: A Worldwide Checklist of Species

A

Appendix A - Common Decking Board Timber Species

	Species	Common size	In-Ground Durability Rating	Above-Ground Durability Rating	Termite Resistant	Bushfire Resistance
	Blackbutt	64 × 19 86 × 19	2	1	Yes	Bushfire Resisting Timber BAL12.5, 19 and 29
	Red Ironbark	64 × 19 86 × 19	1	1	Yes	Bushfire Resisting Timber BAL12.5, 19 and 29
	Grey Ironbark	64 × 19 86 × 19	1	1	Yes	Density greater than 750 kg/m ³ BAL 12.5 and 19
	Spotted Gum	64 × 19 86 × 19 136 × 32	2	1	Yes	Bushfire Resisting Timber BAL12.5, 19 and 29
	Merbau / Kwila	70 × 19 90 × 19 140 × 25	3	1	Yes	Bushfire Resisting Timber BAL12.5, 19 and 29
	Northern Box / Pelawan	90 × 19 140 × 25		1	Yes	Density greater than 750 kg/m ³ BAL 12.5 and 19
	Jarrah	65 × 19 88 × 19	2	2	Yes	Density greater than 750 kg/m ³ BAL 12.5 and 19
	Tallowwood	64 × 19 86 × 19	1	1	Yes	Density greater than 750 kg/m ³ BAL 12.5 and 19
	Turpentine	64 × 19 86 × 19	2	1	Yes	Bushfire Resisting Timber BAL12.5, 19 and 29
	Treated Pine	70 × 19 90 × 19 120 × 25	H3	H3	Yes	No

B

	Species	Common size	In-Ground Durability Rating	Above-Ground Durability Rating	Termite Resistant	Bushfire Resistance
	Red Mahogany	64 × 19 86 × 19	2	1	Yes	Density greater than 750 kg/m ³ BAL 12.5 and 19
	River Red Gum	64 × 19 86 × 19	2	1	Yes	Bushfire Resisting Timber BAL 12.5, 19 and 29
	Cypress	90 x 20	2	1	Yes	No

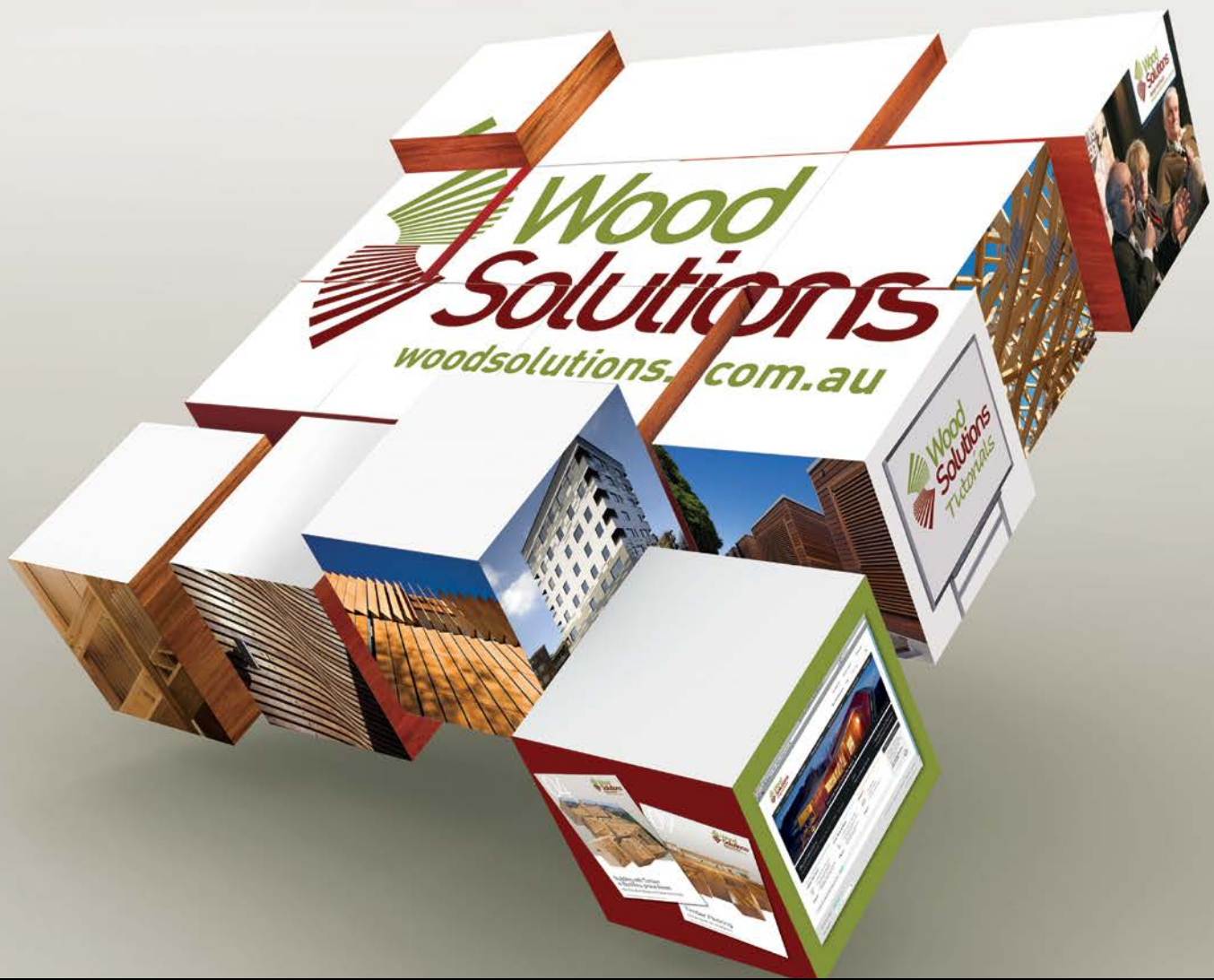
Appendix B - Common Deck Problems

Common problems to avoid when designing or building a deck:

1. Deck framing not designed to stand alone or is inadequately connected to the house.
2. Fasteners incorrectly sized or not of sufficient durability.
3. Timber species not sufficiently durable or the right preservative treated hazard class for the intended exposure to weather.
4. Subfloor frame not adequately braced.
5. AS 1684 timber spans and sizes used when the deck is tiled or includes a hot tub or spa.
6. Deck does not contain adequate termite inspection points.
7. In bushfire-prone areas, bushfire resistant construction methods or timbers are not used.
8. Timbers not all sealed, including cut joints in timber.
9. Stair goings and risers not sized correctly according to NCC requirements.
10. Handrails on stairs and ramps not continuous.

Additionally, if a deck is built close to or on the ground, common problems include:

1. Inadequate or impeded drainage.
2. Inadequate subfloor ventilation.
3. Insufficient easy access termite inspection points next to the house.
4. Timber species not of sufficient durability or preservative treated hazard class for the closeness to the ground.
5. Inadequate deck board spacing.



Discover more ways to build your knowledge of wood

If you need technical information or inspiration on designing and building with wood, you'll find WoodSolutions has the answers. From technical design and engineering advice to inspiring projects and CPD linked activities, WoodSolutions has a wide range of resources and professional seminars.

www.woodsolutions.com.au

Your central resource for news about all WoodSolutions activities and access to more than three thousand pages of online information and downloadable publications.

Technical Publications

A suite of informative, technical and training guides and handbooks that support the use of wood in residential and commercial buildings.

WoodSolutions Tutorials

A range of practical and inspirational topics to educate and inform design and construction professionals. These free, CPD related, presentations can be delivered at your workplace at a time that suits you.

Seminars and Events

From one day seminars featuring presentations from leading international and Australian speakers to international tours of landmark wood projects, WoodSolutions offer a range of professional development activities.

What is WoodSolutions?

Developed by the Australian forest and wood products industry for design and building professionals, WoodSolutions is a non-proprietary source of information from industry bodies, manufacturers and suppliers.

